

MEDIGOR

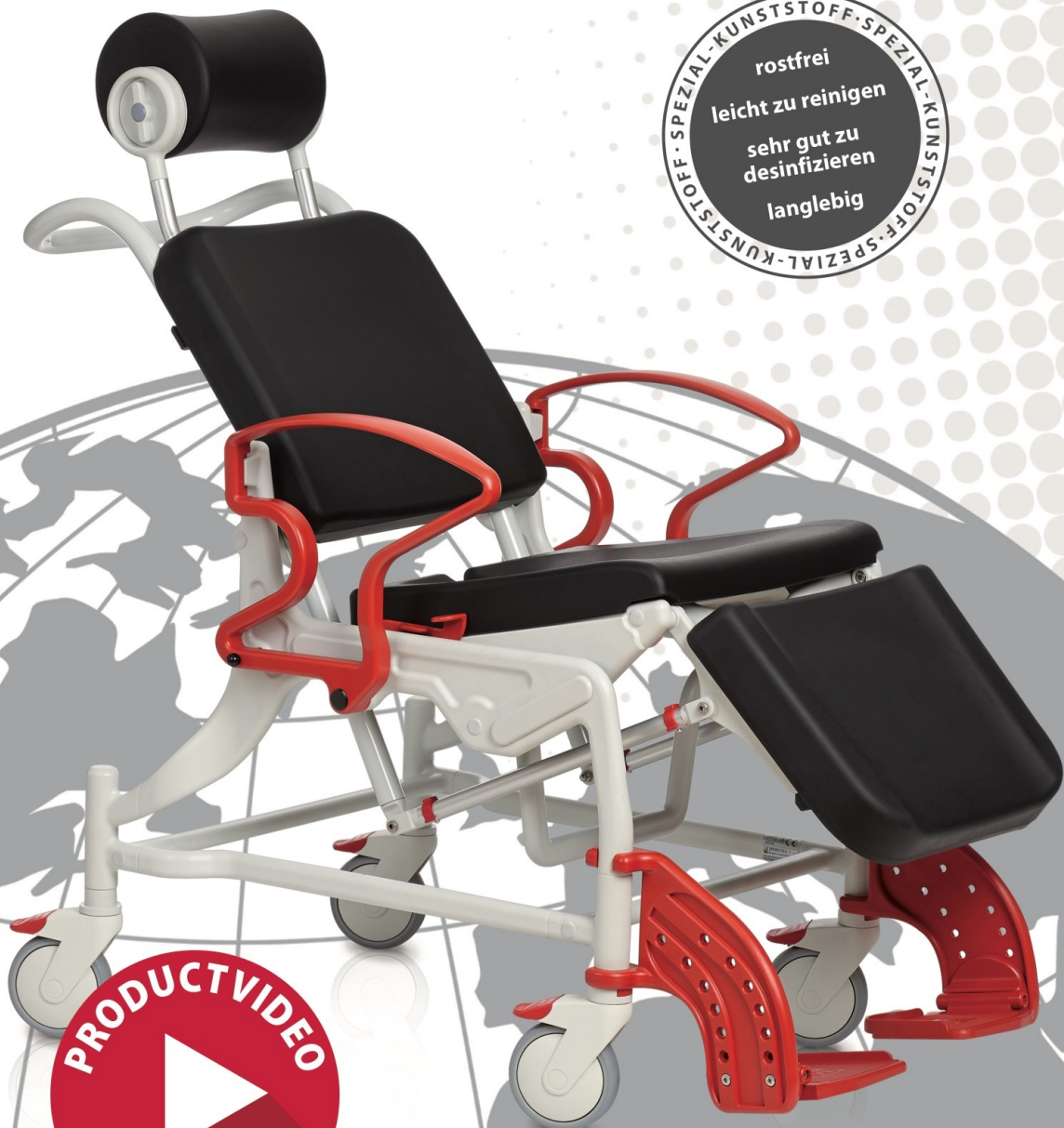
www.gyogyszati.hu

Phoenix

Multifunction-Wheelchair



REBOTEC®



www.rebotec.de

MEDIGOR

www.gyogyszati.hu

Phoenix

Multifunction-Wheelchair

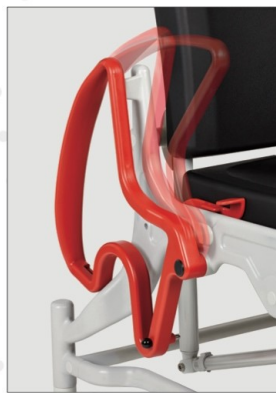
*Tilting adjustment
infinitely variable!*



ref.no. 350.30.40



adjustable headrest



swinging armrest



lever lock for reclining

Technical changes and changes in colour reserved.

protected
by
patent

CE



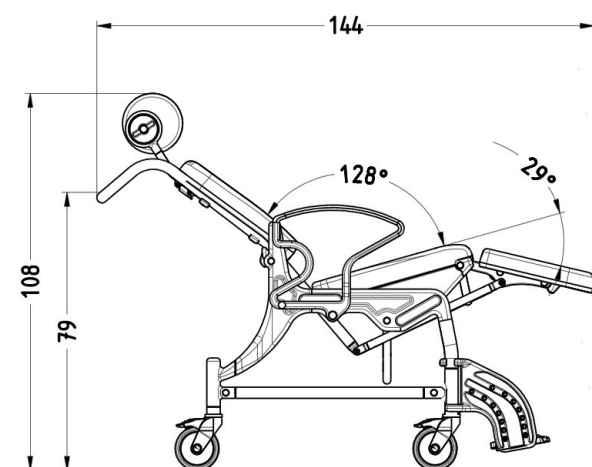
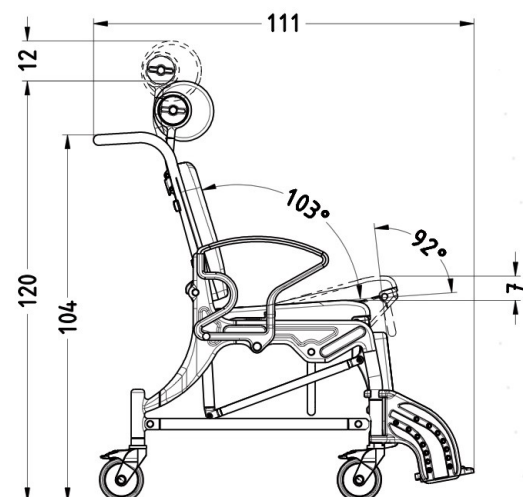
MEDIGOR

www.gyogyszati.hu



REBOTEC®

All dimensions in cm.



Equipment:

- adjustable headrest
- tilting adjustment
- swinging armrest
- 4 braked 5-inch swivelling castors
- approved up to 150 kg body weight

Phoenix

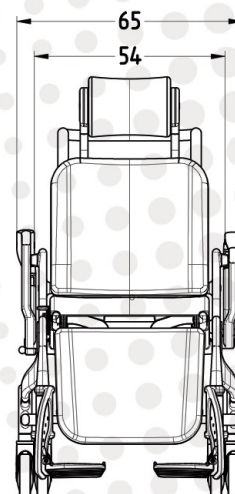
- seat with hygiene opening
- incl. bucket and bucket device

ref. no. 350...10

Phoenix

- seat without hygiene opening

ref. no. 350...40



Colour	Colourcode
grey/grey	03
grey/black	10
grey/fire-red	30
grey/rubin-red	44
grey/blue	54

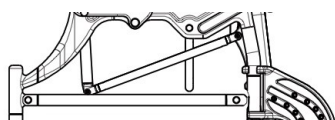
Type:	Phoenix	Phoenix
depth:	111 cm	
width:	65 cm	
seat depth:	43 cm	
seat height:	58 cm	57 cm
seat width:	54 cm	
weight:	29,3 kg	28,8 kg
max. body weight:	bis 150 kg	
ref. no.:	350...10	350...40

Technical changes and changes in colour reserved.



ref. no. 350...10

Phoenix



MEDIGOR

www.gyogyszati.hu

Phoenix

Multifunction-Wheelchair, height adjustable



ref.no. 352.10.10

*Height adjustment
electrically or
hydraulically*



electric drive



hydraulically height adjustable Phoenix



hydraulic drive

Technical changes and changes in colour reserved.



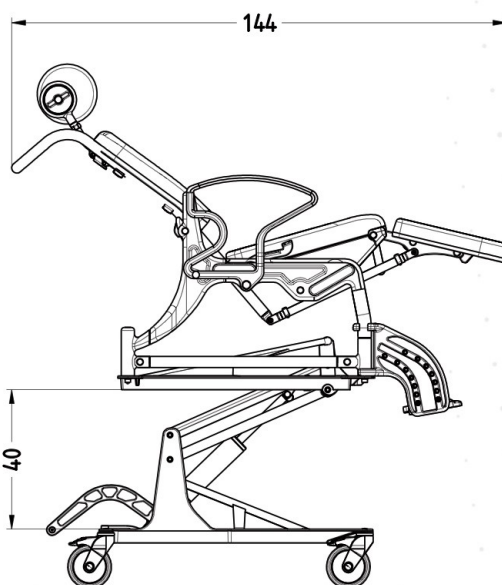
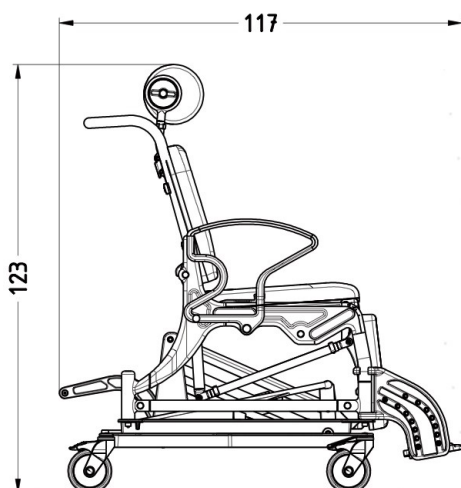
MEDIGOR

www.gyogyaszi.hu



REBOTEC®

All dimensions in cm.



Equipment:

- height adjustable
- adjustable headrest
- tilting adjustment
- swinging armrest
- 4 braked 5-inch swivelling castors
- approved up to 150 kg body weight

Phoenix

with electrical height adjustment

- seat with hygiene opening
- incl. bucket and bucket device
- incl. charging station and second battery
- protection class IPX 5/6

ref.no. 352. ...10

Phoenix

with electrical height adjustment

- seat without hygiene opening
- incl. charging station and second battery
- protection class IPX 5/6

ref.no. 352. ...40

Phoenix

with hydraulic height adjustment

- seat with hygiene opening
- incl. bucket and bucket device

ref.no. 351. ...10

Phoenix

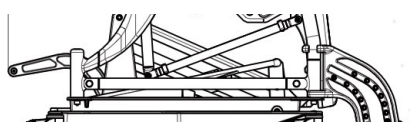
with hydraulic height adjustment

- seat without hygiene opening

ref.no. 351. ...40

Colour	Colourcode
grey/grey	03
grey/black	10
grey/fire-red	30
grey/rubin-red	44
grey/blue	54

Type:	Phoenix electrical		Phoenix hydraulic	
depth:	112 cm		117 cm	
width:	68 cm		68 cm	
seat depth:	43 cm		43 cm	
seat height:	60-100 cm	59-99 cm	60-100 cm	59-99 cm
seat width:	54 cm		54 cm	
weight:	53,6 kg	53,0 kg	52,4 kg	51,8 kg
max. body weight:	bis 150 kg		bis 150 kg	
ref. no.:	352. ...10	352. ...40	351. ...10	351. ...40



- incl. bucket and bucket device
- incl. charging station and second battery
- protection class IPX 5/6

ref.no. 352. ...10

Technical changes and changes in colour reserved.



MEDIGOR

www.gyogyszati.hu

Accessories

Comfort headrest

- *increased lateral support*
- *adaptable neck- or headrest through off-center rotation*



ref.no. 350.54.10

Technical changes and changes in colour reserved.



*headrest through
off-center rotation*

MEDIGOR

www.gyogyszati.hu



REBOTEC®

Accessories:

1. IV pole

ref. no. 440.00.93

2. Headrest, lateral support

ref. no. 450.10.59

3. Safty belt

size M/L

- chest and pelvic belt

ref. no. 322.30.20

4. Armrest cushion

ref. no. 440.10.32

5. Splash protection

ref. no. 440.10.40

6. Safety belt

size S

- leg belt

ref. no. 322.30.10

7. Cushion for safety belt

ref. no. 322.10.50



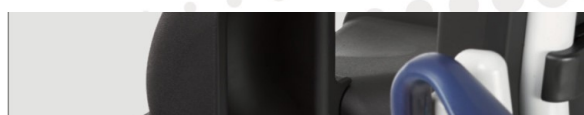
Technical changes and changes in colour reserved.

protected
by
patent

CE

4. Armrest cushion

ref. no. 440.10.32



www.rebotec.de

Distributed by:

MEDIGOR

www.gyogyszati.hu

REBOTEC® Rehabilitationsmittel GmbH

D-49610 Quakenbrück · Artlandstraße 57 – 59 · Fon +49 (0) 5431 9416-0 · Fax +49 (0) 5431 9416-66

www.rebotec.de · info@rebotec.de

08-2018

1170e-12020